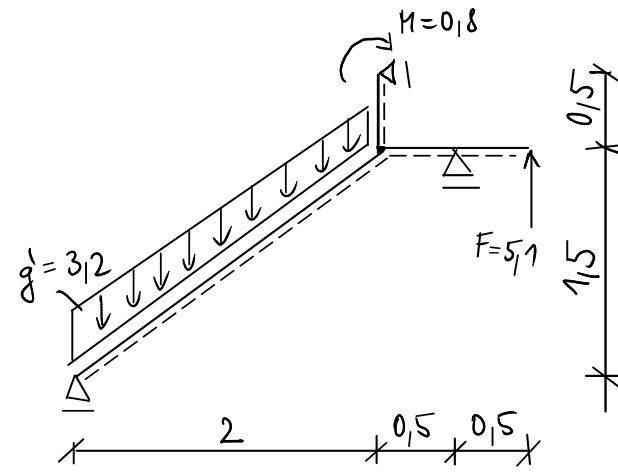
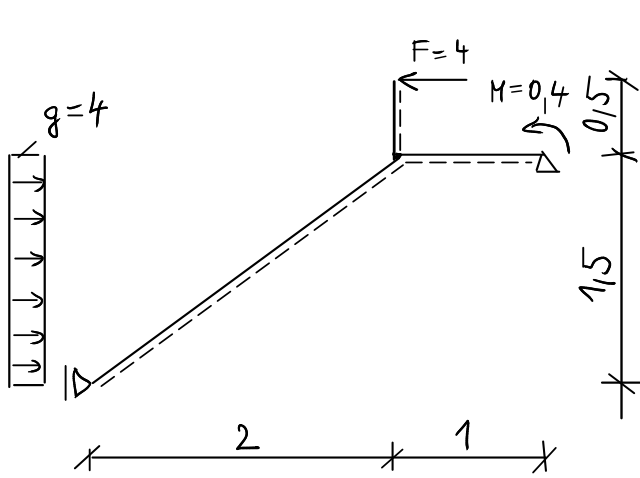


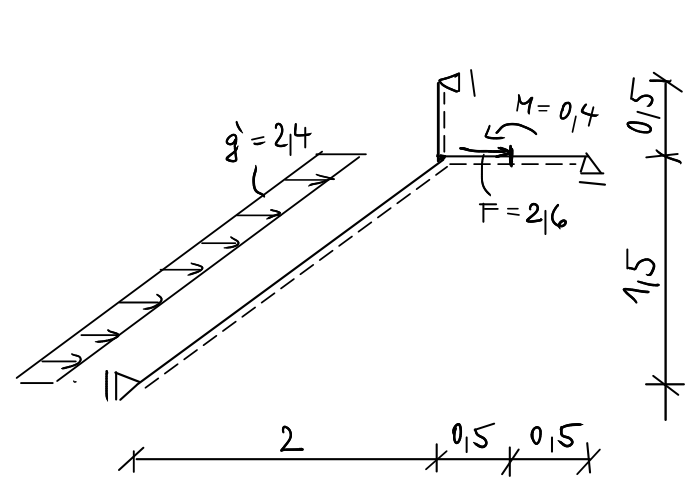
[m, kN, kNm, kN/m]



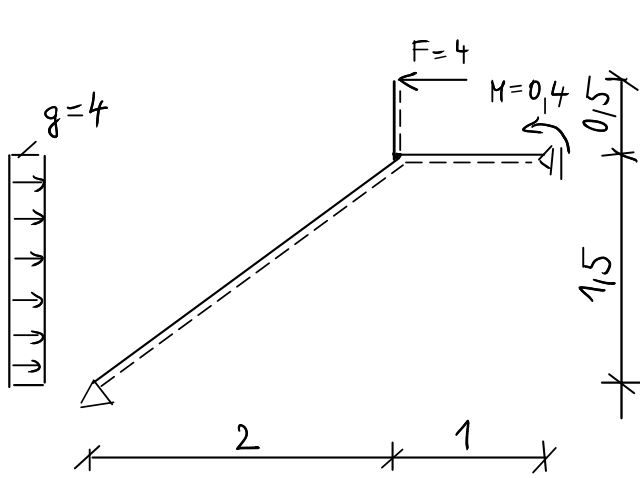
[m, kN, kNm, kN/m]



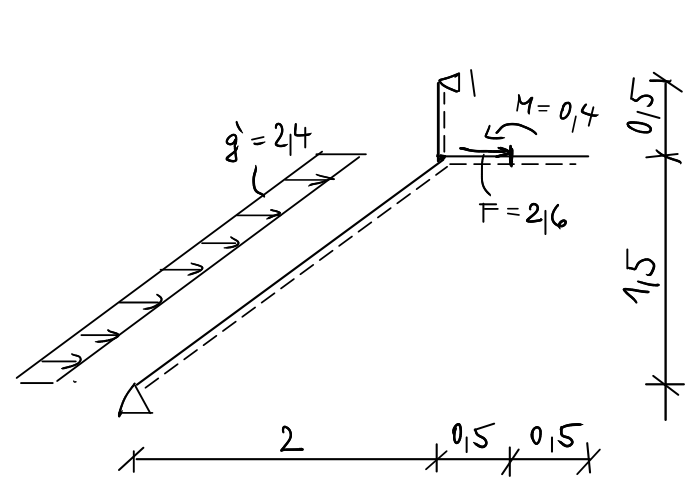
[m, kN, kNm, kN/m]



[m, kN, kNm, kN/m]



[m, kN, kNm, kN/m]



[m, kN, kNm, kN/m]